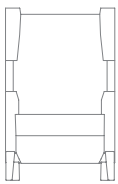




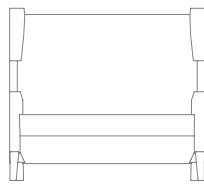
## Grainger

Design by Allermuir

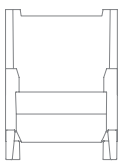
Grainger is a luxurious family of wingback arm chairs and matching ottoman. The chair is available with a high or low back, featuring exquisite upholstery detailing including piping to the arm panels and a deep buttoned back cushion.



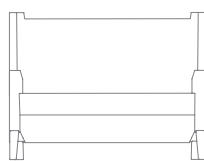
GR1



GR2



GR3



GR4



GR7



GR8



## Design Allermuir

Our team of talented in house designers is responsible for creating elegant, innovative furniture designs that not only look beautiful, but minimise the impact on the world around us.

Constantly exploring new product trends and keeping up to date with the latest innovations in technology and materials, our design team creates world class designs of the highest quality.

**Standard Features**

- (\* - Selected models only)
- Traditional carcass construction
- Secured deep buttoned back cushion\*
- Webbed seat support
- Solid Oak legs

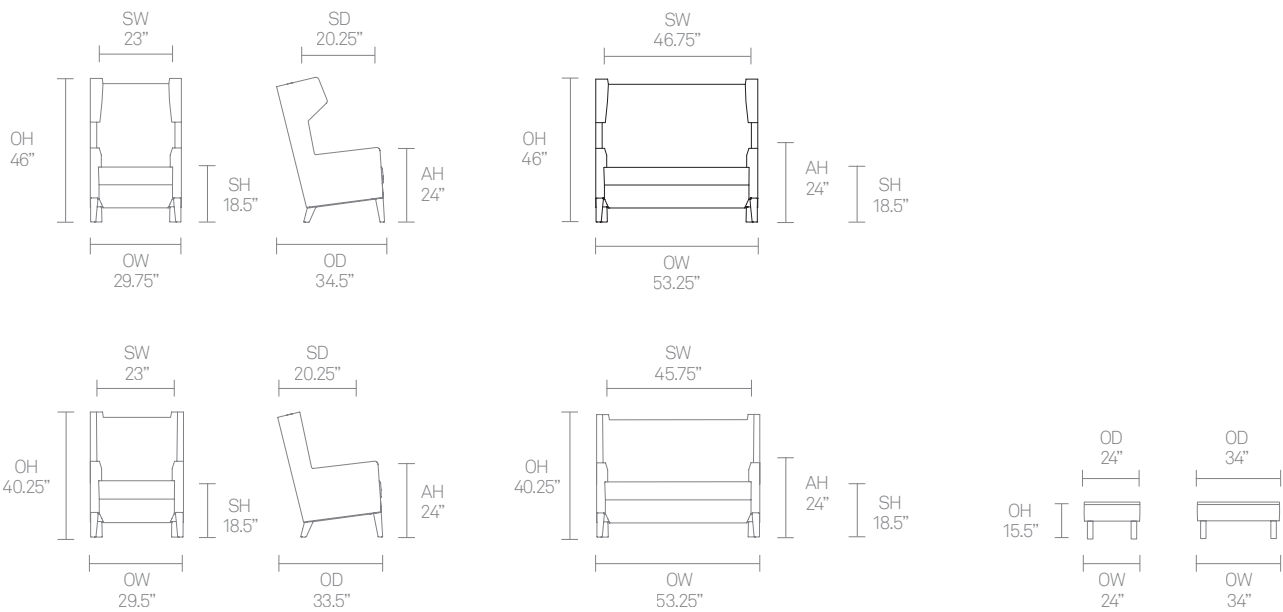
**Optional Features**

- Two-tone upholstery

**Performance Standards**

ANSI/BIFMA 5.4-2012

**Dimensions**



**Environmental Performance**

**Material Content**

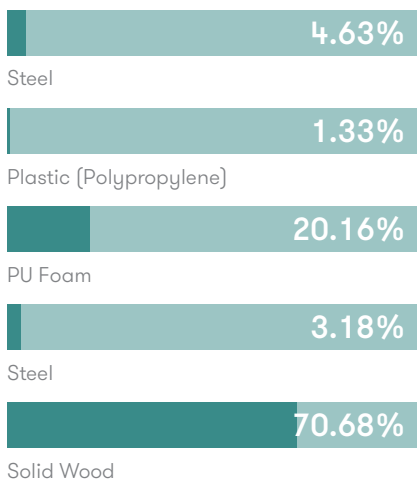
Components are constructed of the following

**Recycled Content**

Contains up to 4% of Recycled Material

**Recyclability**

The range is 100% recyclable



100%

## Finish Options

Solid Oak legs can be stained or color washed.

Grainger can be upholstered in a broad range of contract upholstery fabrics and leathers from the standard Allermuir upholstery collection.

### Wood Stains based on Oak



Clear      White Oak      American Cherry      American Walnut      Dark Walnut      Wenge

### Color Washes based on Oak



White as Snow Wash      Back to Black Wash      Slate Gray Wash      Smoke Gray Wash      Vintage Red Wash      Ruby Red Wash      Fern Green Wash      Peacock Green Wash      Sapphire Blue Wash



Orange Crush Wash      Mellow Yellow Wash      Nut Brown Wash      Turtle Dove Wash      Sherbert Yellow Wash      Blush Pink Wash

**Note:** Color images are for reference only. Please verify with actual color sample.