

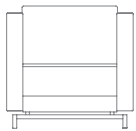


Dandy

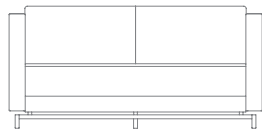
Design by Allermuir

As its name suggests, Dandy is a range which offers a depth of quality that cannot be imitated. The family includes a sofa and armchair that share the same simple proportions and deep level comfort. Elegant and inviting, Dandy can be placed in

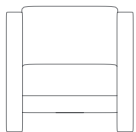
corporate or hospitality environments to create sumptuous dining, lounge, reception or breakout areas.



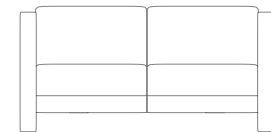
A750



A751



A752



A753



Design Allermuir

Our team of talented in house designers is responsible for creating elegant, innovative furniture designs that not only look beautiful, but minimise the impact on the world around us.

Constantly exploring new product trends and keeping up to date with the latest innovations in technology and materials, our design team creates world class designs of the highest quality.

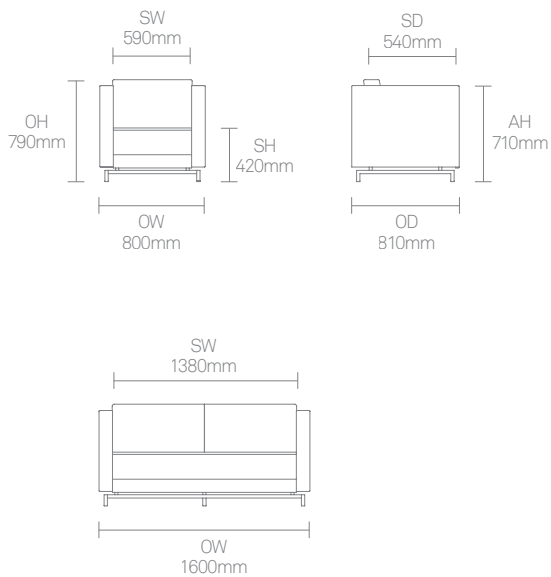
Standard Features

- (* - Selected models only)
- Traditional carcass construction
- Tensioned seat support
- Fully upholstered
- Square tubular Steel frame*

Optional Features

- Two-tone upholstery

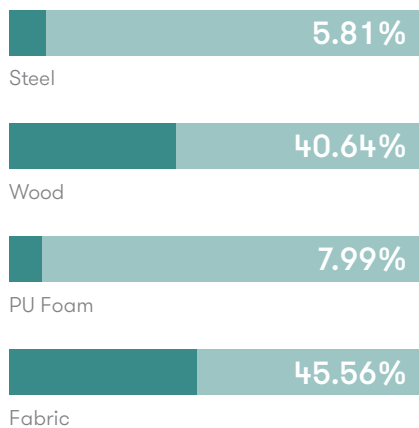
Dimensions



Environmental Performance

Material Content

Components are constructed of the following



Recycled Content

Contains up to 26.00% of Recycled Material



Recyclability

The range is 100% recyclable

100%

Finish Options

Square tubular steel frame available in Silver powder coat or Polished Chrome*

Dandy can be upholstered in a broad range of contract fabrics and select leathers from Allermuir standard upholstery collection

Metal Finishes



Silver
Powder Coat



Polished
Chrome