

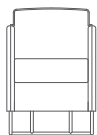


Tommo

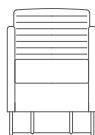
Design by Mark Gabbertas

The contemporary and intelligent design of the Tommo range places it easily in a host of spaces within corporate and hospitality environments. The fully upholstered chair features slender upholstery styling and twin stitch seam

detail, complemented by a light and elegant tubular skid base.



A530



A530Q



A531



A531Q



A532



A532Q



A534



A534Q



Design
Mark Gabbertas

Mark Gabbertas is a furniture designer with a different perspective. After ten years in advertising, he trained and worked as a cabinet maker, before establishing the Gabbertas Studio in 2001. The intent is

to create character through simplicity via the rigorous pursuit of designs that have both an elegance and a lasting aesthetic... it is all too easy to shock, but much more difficult to please.

Standard Features

- (* - Selected models only)
- Traditional carcass construction
- Fully upholstered
- Soft quilted upholstery*
- Tubular Steel frame
- Plastic glides*

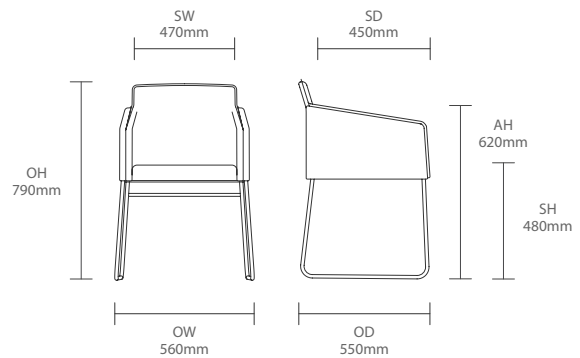
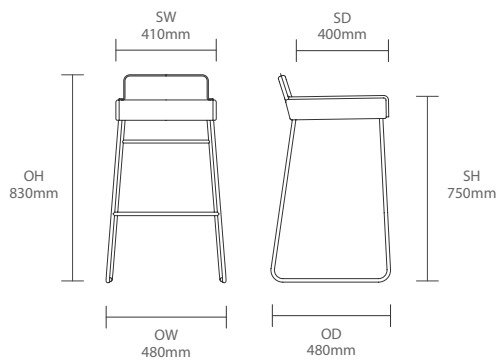
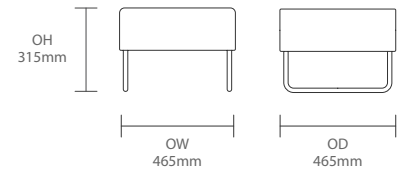
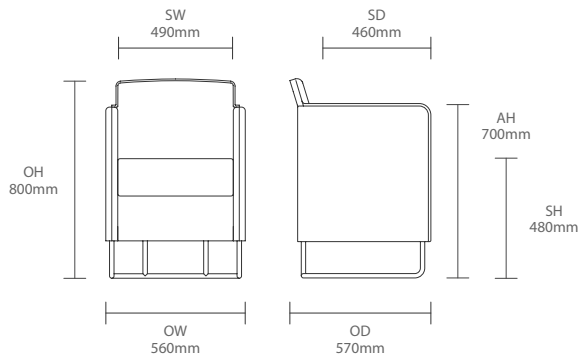
Optional Features

- Counter height stool option*
- Two-tone upholstery

Performance Standards

BS EN 13761:2002

Dimensions



Environmental Performance

Material Content

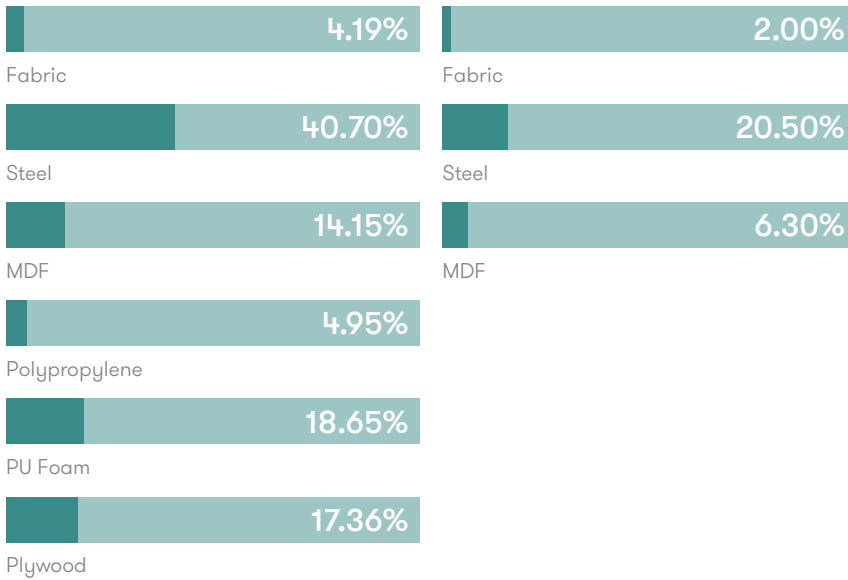
Components are constructed of the following

Recycled Content

Contains up to 28.80% of Recycled Material

Recyclability

The range is 99% recyclable



99%

Finish Options

Tubular Steel frame available in Polished Chrome

Tommo can be upholstered in a broad range of contract upholstery fabrics, vinyls and leathers from Allermuir standard collection.

Mainline Metal Finishes



Polished Chrome

Note: Colour images are for reference only. Please verify with actual colour sample.