



Obris

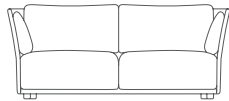
Design by Jonas Wagell

With inviting proportions, Obris is the perfect balance of comfort and form. Its clean lines, slim arm detailing and deep seat allows it to blend subtly wherever you rest, office or lounge.

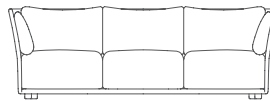
An innovative upholstery technique on the outer body using a CNC shaped steel frame and tensioned fabric adds comfort, weight reduction and light visuals.



OBR01



OBR02



OBR03



Design

Design by Jonas Wagell

Jonas Wagell is a Swedish architect and designer born in 1973. The studio JWDA was founded in 2008.

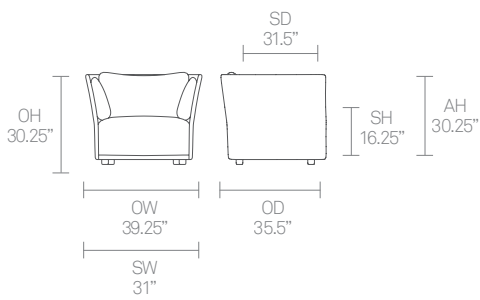
Wagell's architecture work is perhaps most known for the prefab house concept Mini House (2007-2012), early recognized by Wallpaper* Magazine which named him one of the "world's 50 hottest young architects" shortly after graduation in 2008.

Described as minimalist designer. He was introduced to design through an interest in graphics, print and typography and perhaps this has influenced today's work with simplistic and clear, but expressive design language.

Standard Features

- Steel frame with foam overmould and fabric
- Traditional carcass seat
- Solid Beech feet
- Reversible plastic/felt glides

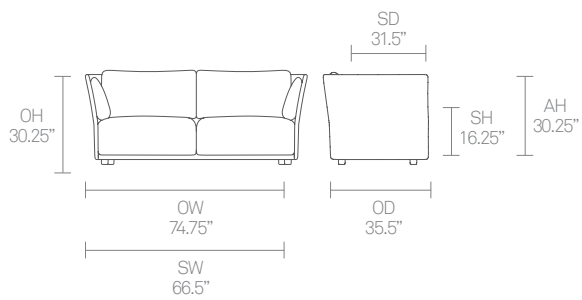
Dimensions



Standard Features

- Steel frame with foam overmold and fabric
- Traditional carcass seat
- Solid Beech feet
- Reversible plastic/felt glides

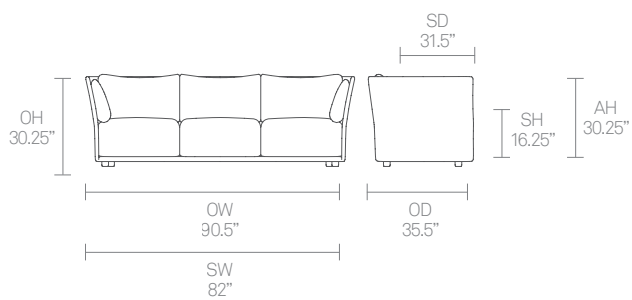
Dimensions



Standard Features

- Steel frame with foam overmould and fabric
- Traditional carcass seat
- Solid Beech feet
- Reversible plastic/felt glides

Dimensions



Finish Options

Solid Beech feet with a Black color wash finish

Obris can be upholstered in a broad range of contract upholstery from the standard Allermuir upholstery collection

Wood Color Washes



Black
color wash