



## Conic

Design by PearsonLloyd

Conic is a refreshing, eye catching and exciting take on various conical forms seen in contemporary soft seating over the decades. Conic's shape and form provide excellent and inviting levels of comfort with

a broad appeal. New upholstery detail gives this piece a fresh twist.



A637



A630



A633



A631



A632



## Design PearsonLloyd

Luke Pearson and Tom Lloyd first met while studying Furniture Design and Industrial Design respectively, at London's prestigious Royal College of Art. They set up their multi award winning design studio in 1997. Since then the studio has created stunning

solutions for a variety of international clients from the aviation, workplace, urban design and healthcare sectors identifying and responding to shifting patterns of behaviour in contemporary life.

### Standard Features

- (\* - Selected models only)
- Moulded foam construction
- Fully upholstered
- Tubular steel frame\*
- Wire frame\*
- Steel swivel pedestal base\*
- Plastic glides\*
- Plastic self-leveling glides\*

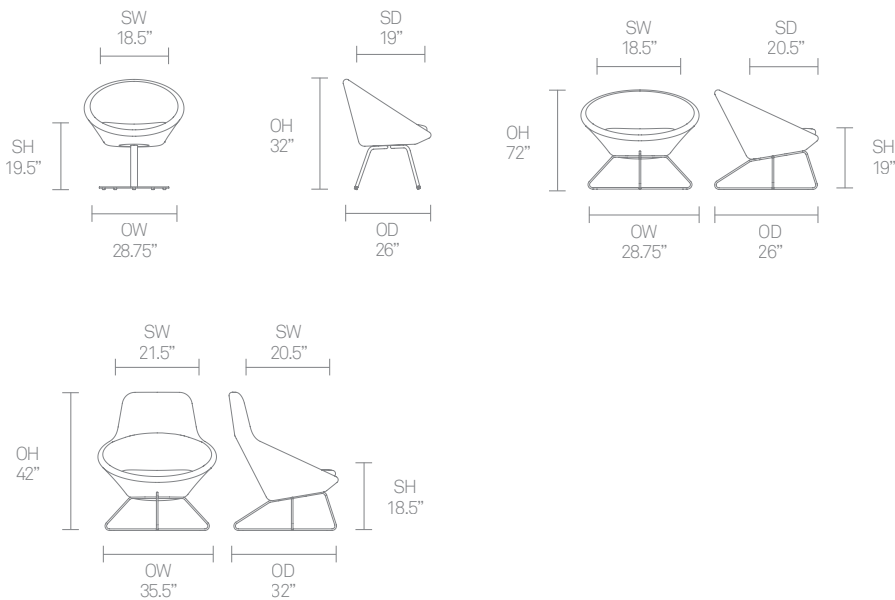
### Optional Features

- Decorative railroad stitch detail to perimeter seam
- Two-tone upholstery
- Plastic self-leveling glides

### Performance Standards

- EN 13761:2002
- ANSI/BIFMA X5.4:2005
- SCS-EC10.2-2007 Indoor Air Quality

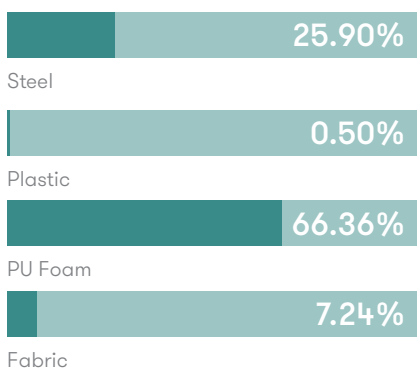
## Dimensions



## Environmental Performance

### Material Content

Components are constructed of the following



### Recycled Content

Contains up to 16.50% of Recycled Material



### Recyclability

The range is 100% recyclable

# 100%

## Finish Options

Wire or tubular Frames available in all mainline and select mineral metal finishes from the Allermuir standard collection\*

Decorative railroad stitch detail to perimeter seam available in Black, White, Red, Light Grey, Dark Grey or Cream.

Conic can be upholstered in a broad range of contract upholstery fabrics and leathers from Allermuir standard upholstery collection

Steel swivel pedestal base finished in Polished Chrome

### Mainline Metal Finishes



Polished Chrome/  
Aluminum

Silver/MO4

Silver

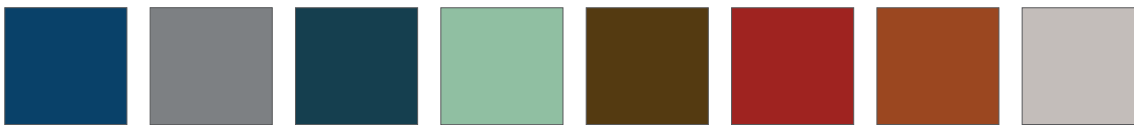
Bronze

Black

Slate Grey

White

### Select Mineral Finishes



Mineral Night

Mineral Stone

Mineral Forest

Mineral Olive

Mineral Clay

Mineral Berry

Mineral Spice

Mineral Sand

### Stitch Detail



Railroad

### Thread Colors



Black

White

Red

Light Grey

Dark Grey

Cream

**Note:** Color images are for reference only. Please verify with actual color sample.